

MIMMS ENTERPRISES  
780 OLD ROSWELL PLACE, SUITE 100  
ROSWELL, GA 30076  
770-518-2200

SUITE 209  
2065 PEACHTREE INDUSTRIAL COURT  
CHAMBLEE, GEORGIA 30341

FLOOR PLAN

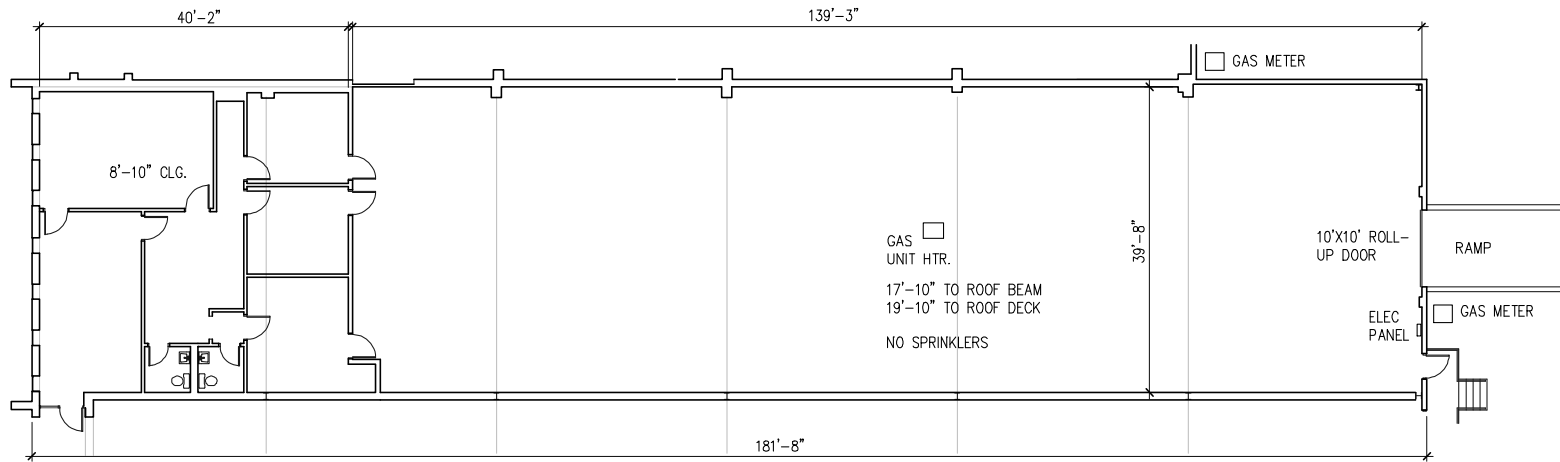
DATE  
NOVEMBER 12, 2015

SCALE  
AS SHOWN

SHEET

A-1

1 OF SHEETS



FLOOR PLAN

0' 5' 10' 20'